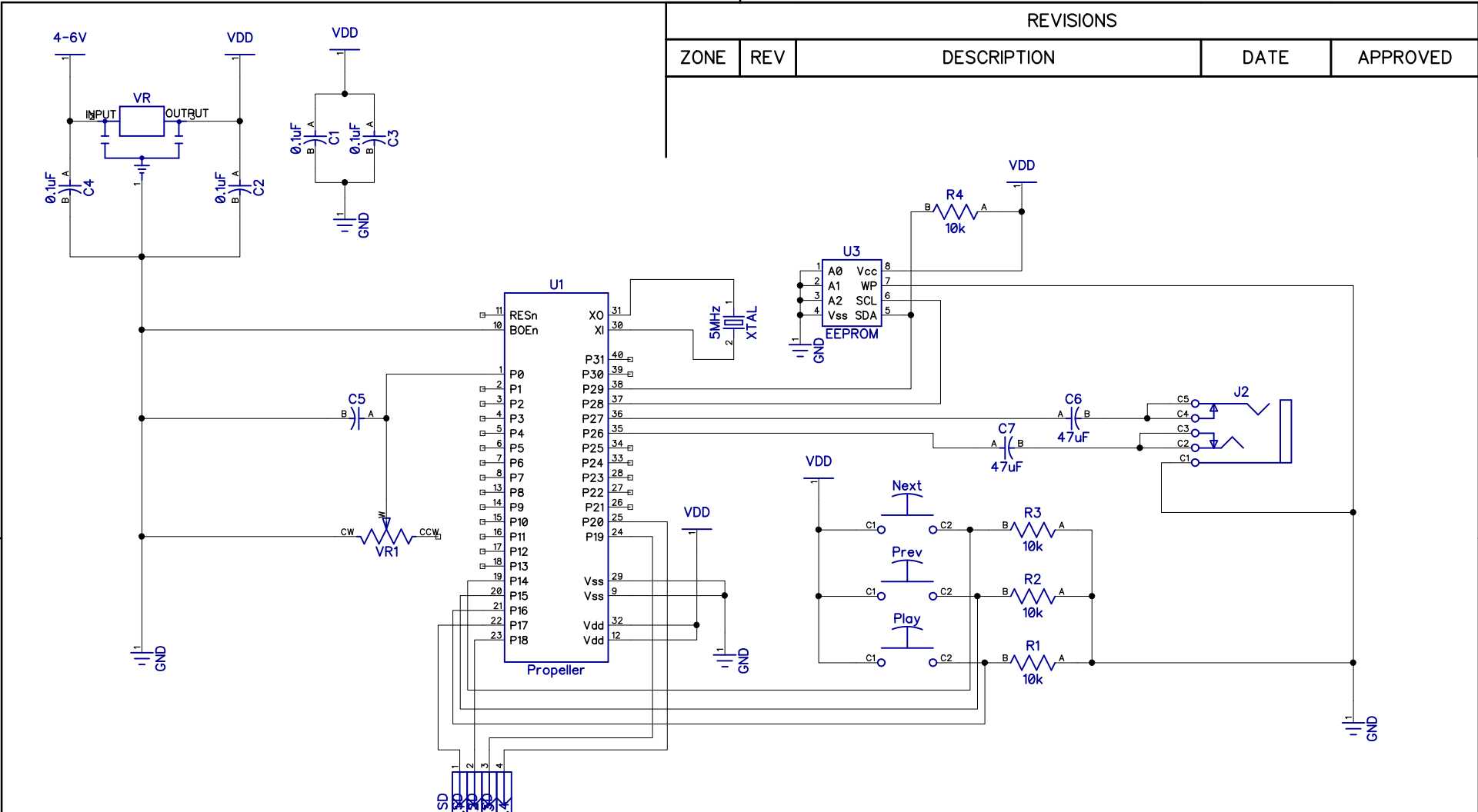


2

1



REVISIONS				
ZONE	REV	DESCRIPTION	DATE	APPROVED

B

B

A

A

SIDstick			
N. McClanahan // Gadget Gangster			
schematic.dch	SIZE	FSCM NO.	DWG NO.
	SCALE		Sheet 1
			REV 3

2

1